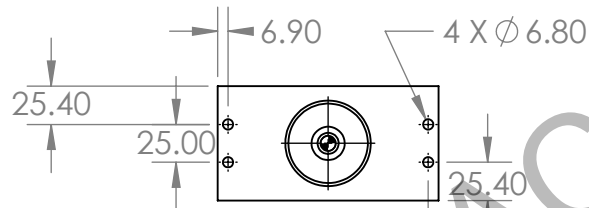
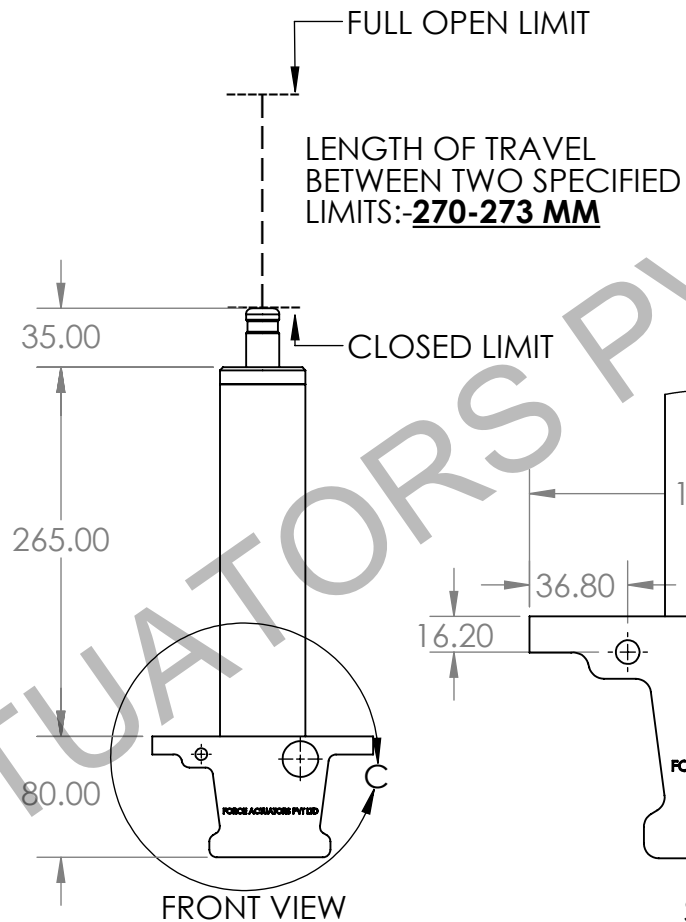


TYPE:- **STRETCHER (ST)**

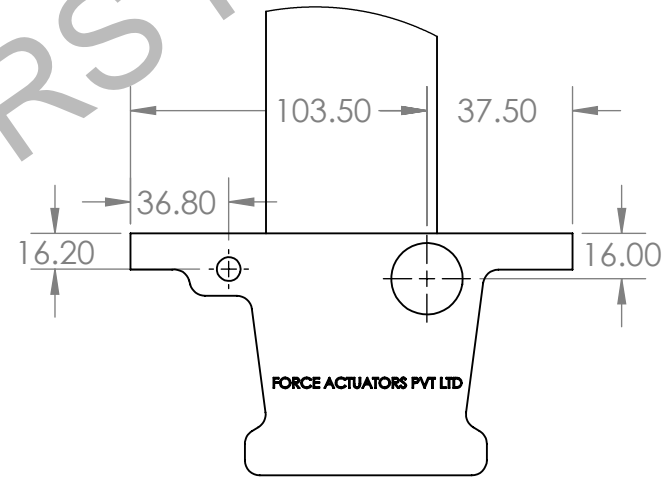
MODEL:- **270**



TOP VIEW



FRONT VIEW



FORCE ACTUATORS PVT LTD

DETAIL C  
SCALE 2 : 5

ALL THE DIMENSIONS ARE IN MM

DO NOT SCALE DRAWING		REVISION 00
TITLE: STRETCHER 270 - EXTERNAL BODY & MOUNTING DIMENSIONS		
DWG NO. FORCEACT-ST270-DIM-EXT		A4
WEIGHT:	SCALE	SHEET 1 OF 1